

Side-view type with 5mm in thickness!



Feature

- Flat and side-view type with 5mm It is possible to install at the too narrow space.
- High-speed response, 0.25msec. for through-beam type
- It is easy to make a wiring because cable from the sensor is tilting.
- Protective structure is IP67

Model No./Kinds

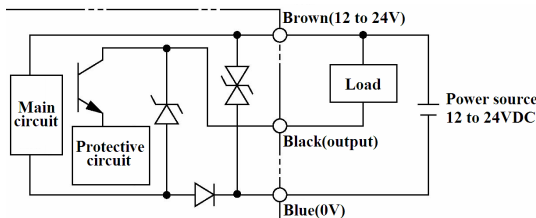
Kinds	Output	Operation	Model No.	Code No.
Through-beam type	NPN open-collector	Light-ON	PFX2-405T	RPFX053
		Dark-ON	PFX2-405N	RPFX055
	PNP open-collector	Light-ON	PFX2-405S	RPFX057
		Dark-ON	PFX2-405P	RPFX059
Diffuse-reflection type	NPN open-collector	Light-ON	PFX2-251T	RPFX060
		Dark-ON	PFX2-251N	RPFX061
	PNP open-collector	Light-ON	PFX2-251S	RPFX062
		Dark-ON	PFX2-251P	RPFX063
Limited-reflection type	NPN open-collector	Light-ON	PFX2-152T	RPFX064
		Dark-ON	PFX2-152N	RPFX065
	PNP open-collector	Light-ON	PFX2-152S	RPFX066
		Dark-ON	PFX2-152P	RPFX067

Specifications

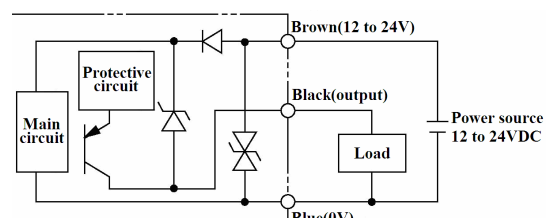
Model No.	PFX2-405	PFX2-251	PFX2-152
Kinds	Through-beam	Diffuse-reflection	Limited-reflection
Power source	12 to 24VDC(including ripple $\pm 10\%$)		
Light source	Red LED		
Current consumption	30mA(P:14mA,R:16mA)	20mA	
Detectable distance	0~400mm	25mm(white paper with 90%)	2~15mm(white paper with 90%)
Hysteresis		10% of operating distance	10% of operating distance
Operating mode	Light-ON/Dark-ON changeover by adjuster		
Output	NPN open-collector, PNP open-collector, 50mA, 24VDC or less, residual voltage 1.8V or less		
Indicators	Orange : lit up when output ON, green : stable lamp, red : power lamp for projector		
Response time	0.25msec or less	0.5msec or less	
Protective circuit	Over-current protection(output)/reverse connection protection/short-circuit protection		
Connection	2m cable		
Ambient illuminance	Incandescent lamp ; 3,000lux or less, sun light : 10,000lux or less		
Ambient temperature/humidity	-25~+55°C(-40 to +70°C at stored), 35 to 85%RH(not icing, not condensing)		
Vibration resistance	10~55Hz, Double amplitude 1.5mm, each 2 hour in X, Y and Z direction		
Impact resistance	500m/s ² (50G), each 3 time in X, Y and Z directions		
Tightening torque	0.15N · m or less		
Withstand voltage	1,000VAC/min between charging part and case		
Insulation resistance	20M Ω or more/500VDC between charging part and case		
Protective structure	IP67(IEC standard)		
Time for stable circuit	100msec		
Materials	Polycarbonate		
Accessory	Screw, washer, nut, spring washer		

Connection

●NPN

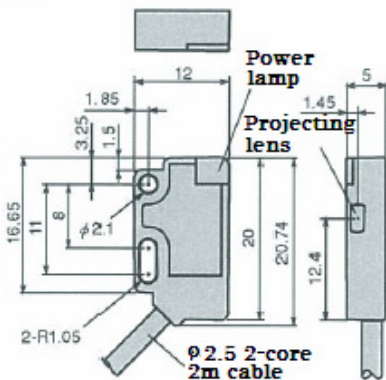


●PNP

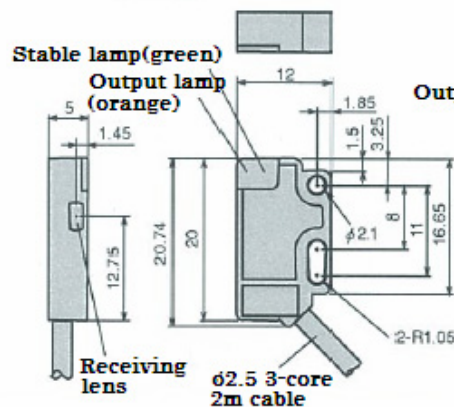


External dimension

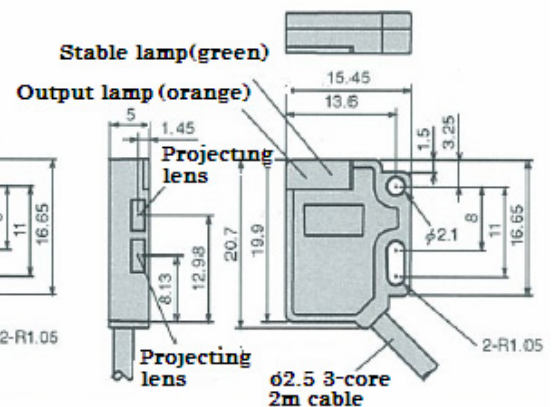
●Through-beam



●Diffuse-reflection



●Limited-reflection



HOKUYO AUTOMATIC CO.,LTD.

1-10-9 Niitaka, Yodogawa-Ku, Osaka, 532-0033, Japan

Tel(06)6394-2102 Fax(06)6394-2339

http://www.hokuyo-aut.jp E-mail:info@hokuyo-aut.jp