

# NEW PRODUCTS

**HOKUYO**

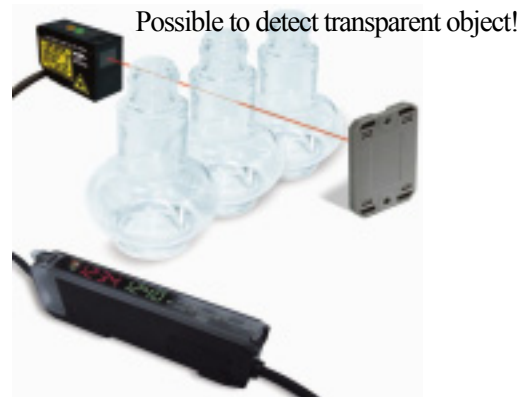
DIGITAL LASER SENSOR

LDA series CE

## HIGH PERFORMANCE WITH EASY HANDLING

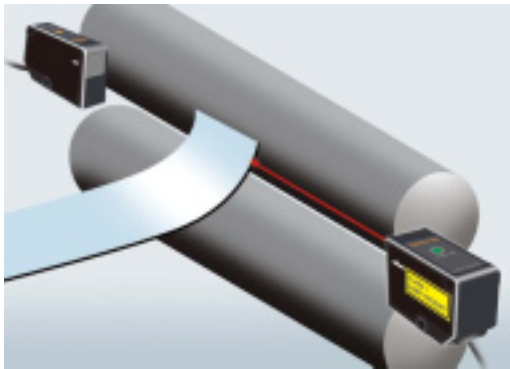
### Features

- \* Visible laser ray
- \* High response time, 60μsec
- \* 3 kinds of beam can be chosen(Spot, area, line)
- \* IP67 for sensor head
- \* Sensitivity correcting function is provided
- \* Coaxial-reflection type is also lined-up

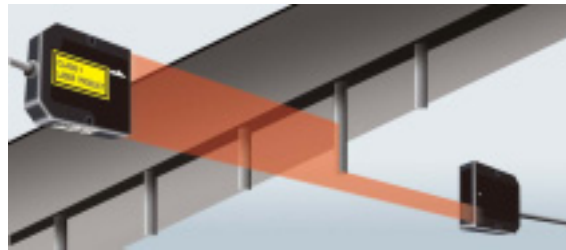


### Applications

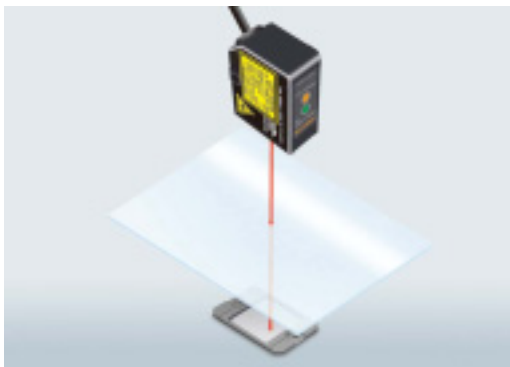
Warp detection(Through-beam type)



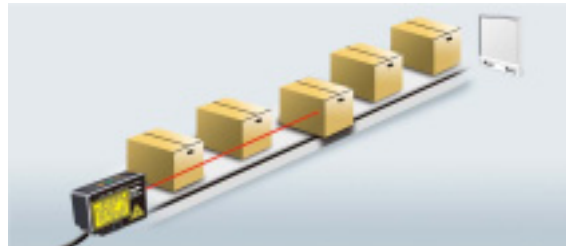
Height/width detection(Through-beam, length measurement type)



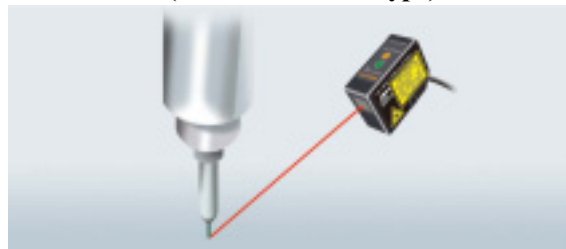
Transparent detection  
(Coaxial retro-reflection type)



Uneven goods detection(Coaxial retro-reflection type, long distance)



Tip work detection(Coaxial reflection type)



### Specifications(Sensor head)

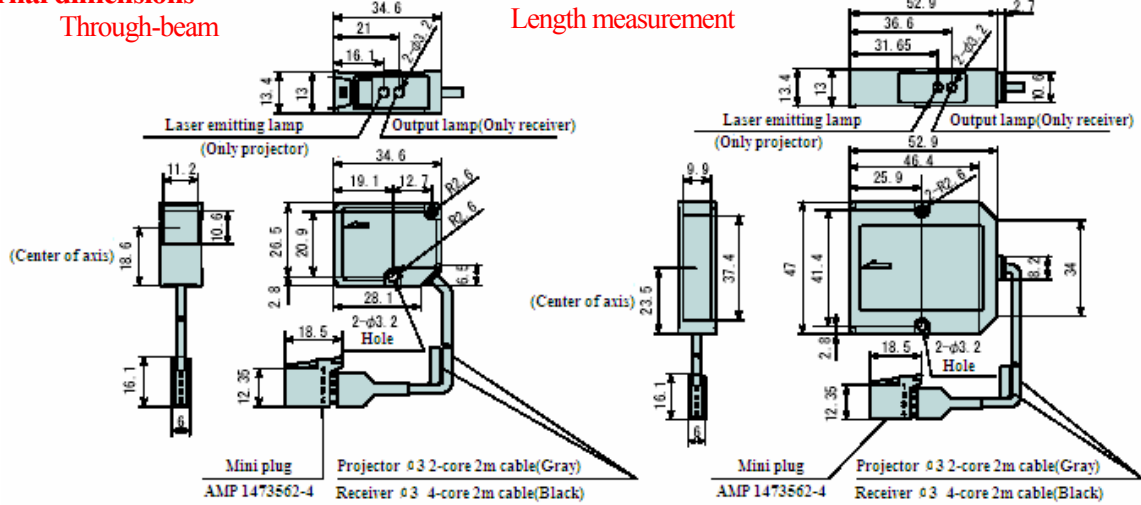
Kinds	Through-beam	Length measurement	Coaxial retro-reflection	Coaxial retro-reflection(long type)	Coaxial reflection
Model No.	JDA-15K5	JDA-15K5-W	HDA-70K3	HDA-350K3	HDA-08K1
Power source	Red semiconductor laser 650nm				
Laser class	JIS/IEC Class 1(390μW)		JIS/IEC Class 2(3mW)		
Detecting distance	Long	1.5m(0.5m when measuring mode *1)	0.08 to 7m*2	0.5 to 35m*2	0.8m*3
	Standard		0.05 to 4m*2	0.3 to 25m*2	0.6m*3
	Fast		0.02 to 2m*2	0.1 to 14m*2	0.2m*3
Spot diameter	2mm(at 1.5m)	30×2.5mm(at 1.5m)	9mm(at 7m)*4	45mm(at 35m)	1.3mm(at 0.8m)
Repeatability	0.2mm	0.3mm	0.2mm	0.2mm	0.2mm
Connection	Connector type				
Protective structure	IP67(IEC standard)				
Attachment			Reflector(RRL-23S)	Reflector(RRL-51S)	
Weight	90g	115g	45g		

## Specifications(Amplifier)

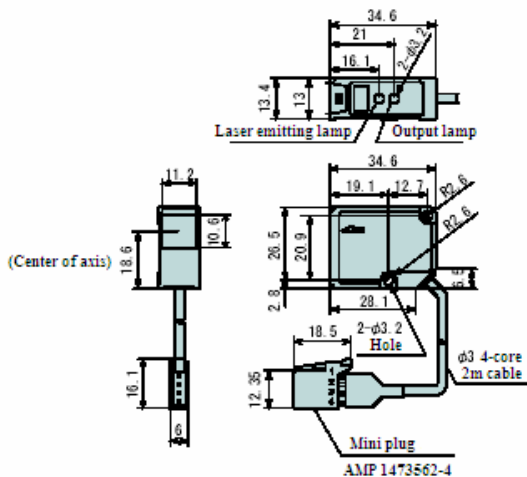
Model No.	LDA-DC(NPN)	LDA-DA(PNP)
Power source	12 to 24VDC +/-10%	
Current consumption	45mA when 24VDC	
Response speed (sensing mode)	60μsec/500μsec/2msec(Fast/Standard/Long)	
Output	NPN open-collector 100mA 24VDC or less	PNP open-collector 100mA 24VDC or less
Timer	On-delay(1msec to 9sec), Off-delay(1msec to 9sec), One-shot	
Teaching	One point, two points, zone, transparent object, length measurement	
Operating mode	Light-ON/Dark-ON changeover	
Analog output	4 to 20mA	
Connection	Cable type	
Protective structure	IP50	
Weight	Approx. 65g(including cable)	
Mounting	DIN-rail mounting	

\* Lens attachment to change the spot diameter is lined-up.(FPL-A01)

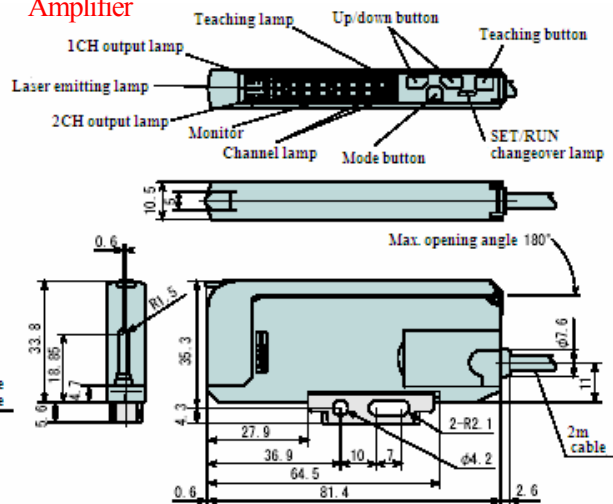
## External dimensions



## Reflection type



## Amplifier



## Caution about laser beam

This product is emitting visible laser beam and is classified as Class 2 by JIS C6802/IEC Laser Safety standard. When exporting to USA, US laser control, FDA(Food and Drug Administration) is applied. Please ask us in details.

## PHOTO SENSOR, LASER SENSOR, MICROWAVE SENSOR,



**Warning**

Don't look at optical parts directly or aim the laser beam at eyes. It may damage eyes or injury health.



**HOKUYO AUTOMATIC CO.,LTD.**  
 1-10-9 Niitaka, Yodogawa-ku, Osaka, Japan  
 Tel(06)6394-2102 Fax(06)6394-2339  
<http://www.hokuyo-aut.jp>  
 E-mail:info@hokuyo-aut.jp