

NEW PRODUCTS

HOKUYO

ELECTRONIC COUNTER

DC-J series CE

VARIOUS FUNCTIONS IN DIN SIZE(48×48)!

***Easy Setting**

It can be changed to easy mode or multi mode.
It can show the setting condition.

***Excellent Visibility**

Excellent visibility by LCD

***Built-in Total Counter**

12 digits total counter is built-in.
(It can show producing numbers per day, month or year)

***Corresponding To Each Output Mode**

Self-holding, One-shot, Agree, Comparing

***Corresponding To Each Output Function**

Standard, Batch, Prediction, Digit-up

***Corresponding To Each Input Mode**

Increment/decrement independence, Phase-difference, Increment, Decrement, Increment/decrement command

***Read Out The Unit Such As Length/Flowing Directly**

Pre-scale function provides.
(0.001 to 9.999)
Decimal point can be changed.

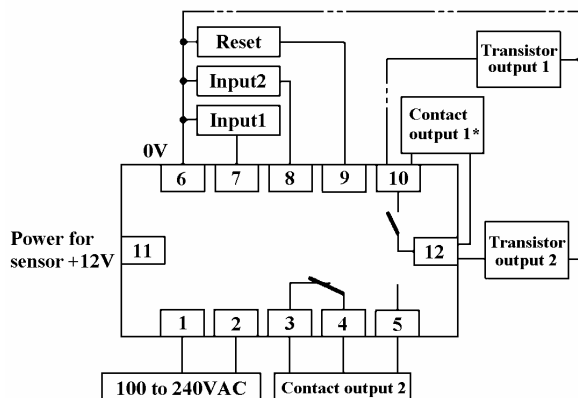
***High Reliability**

CE Marking
IP66 protection(only front panel with rubber packing)
Protecting structure with terminal cover
Key-protection for prevention mishandling provides



Connection

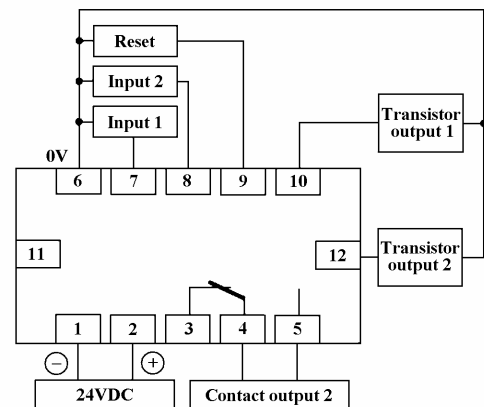
● AC power



*In case of DC-JC
In case of DC-JB, 10:transistor output 1, 12:transistor output 2

● DC power

Note) Power source for sensor isn't provided.



Specifications

Type	1-preset counter		2-preset counter	
Model No.	DC-JB6-AY	DC-JB6-DY	DC-JC6-AY	DC-JC6-DY
Power source	100 to 240VAC	24VDC	100 to 240VAC	24VDC
Fluctuation range	+/- 10% when 24VDC, 85 to 250VAC			
Power consumption	4VA ^{*1} (240VAC)	1W(24VDC)	5VA ^{*1} (240VAC)	1W(24VDC)
Number of digit	6 digits, -99999 to 999999(Total counter : 12 digits)			
Memory function	EEP-ROM(Re-writing 0.1 million times or more)			
Display	7-segment LCD(LED back-light)			
Input mode	Changeover for Increment/decrement independence, Phase-difference, Increment, Decrement, Increment/decrement command			
Output mode	Changeover for One-shot return, Self-holding free, One-shot free, Agree free, Comparing free			
Output function	Changeover for standard or digit-up		Standard/Batch/Prediction	
Counting speed	Changeover for 30Hz/5kHz			
Input signal	Contact or open-collector, Impedance when ON(short-circuit) : 1k ohm or more, Impedance when OFF(short-circuit) : 100k ohm or more, Flowing current when short-circuit : approx. 4mA			
Control output	Transistor output(NPN open-collector) : 100mA or less, 40V or less Contact output(1c, 1a ^{*2}) : 250VAC/30VDC 3A Resistance load(cosΦ=1)			
Pre-scale	0.001 to 9.999			
Decimal point position	Lower 4 digits			
Single-shot time	0.005 to 9.999sec			
Power source for sensor	12VDC, 50mA	Not provided	12VDC, 50mA	Not provided

*1 It includes external power source.

*2 Only AC power type with 2-preset provides

External dimension

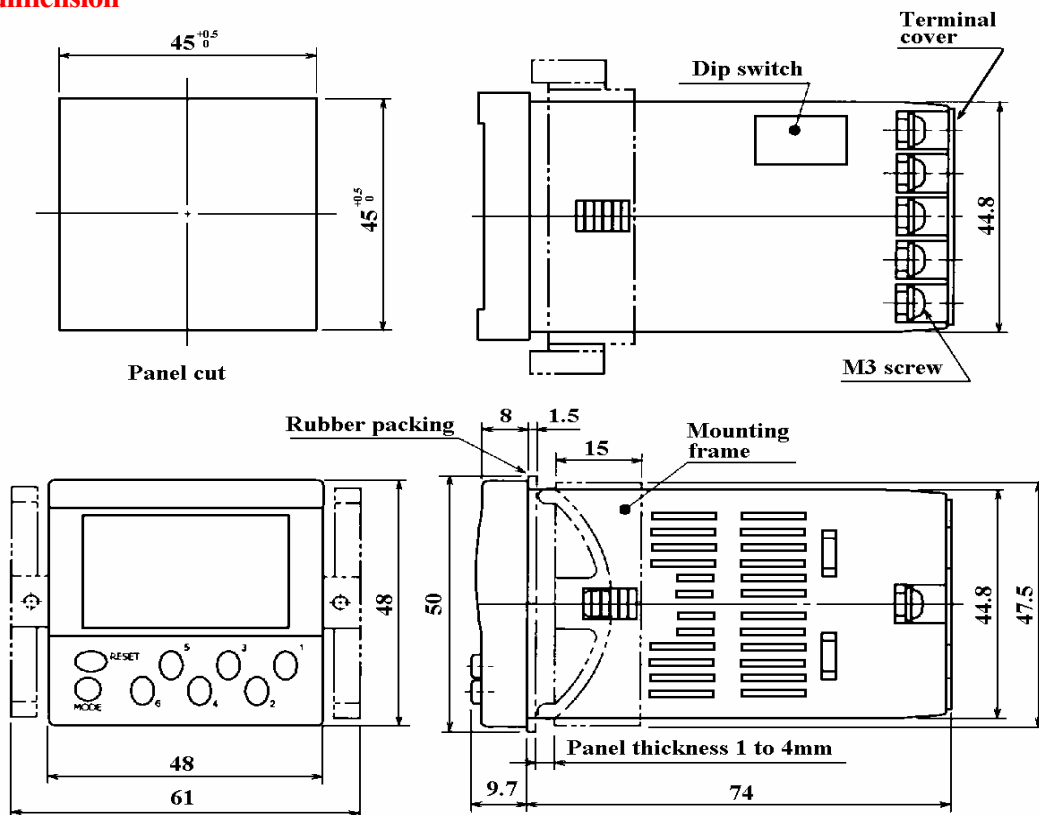


PHOTO SENSOR, LASER SENSOR, MICROWAVE SENSOR, COUNTER, AUTOMATIC DOOR



HOKUYO AUTOMATIC CO.,LTD.
 1-10-9 Niitaka, Yodogawa-Ku, Osaka
 532-0033, Japan
 Tel(06)6394-2102 Fax(06)6394-2339
<http://www.hokuyo-aut.jp>
 E-mail:info@hokuyo-aut.jp