

NEW PRODUCTS

HOKUYO

OPTICAL FIBER SENSOR

PVF SERIES

Large & Easy-to-see Indicators!

Large Sensitivity Adjuster!

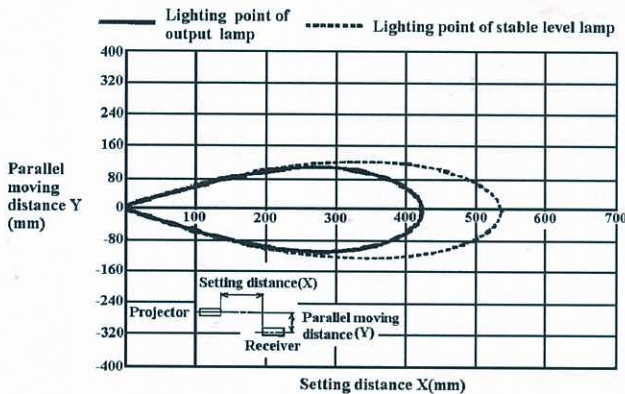
- *Accessory such as screw driver for sensitivity adjuster is not required because large-sized adjuster is provided
- *Fiber insertion indicator is provided
- *It is easy to see stable level lamp and output lamp because of large size
- *NPN and PNP output type are lined-up
- *Off-delay timer(40msec) is provided



Characteristics data

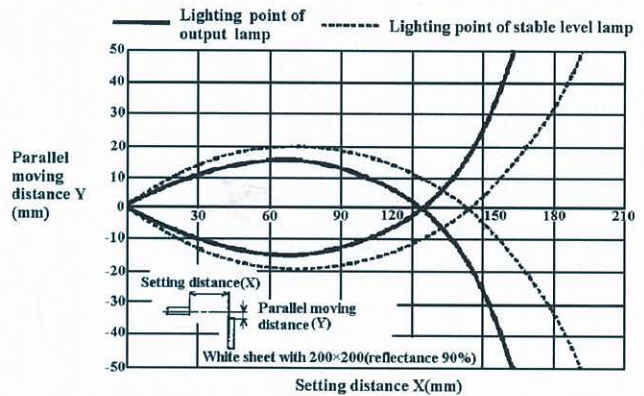
Through-beam type(EP1-321)

Parallel moving characteristic



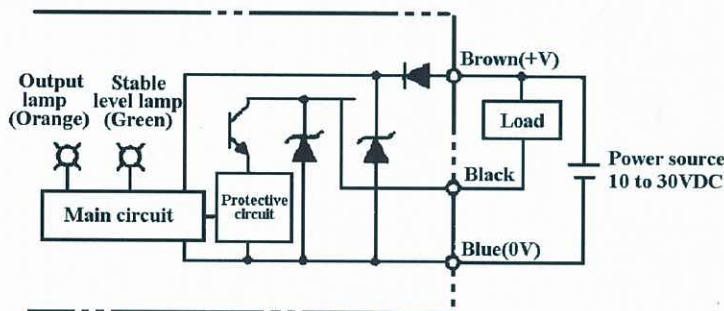
Diffuse-reflection type(EP6-321)

Parallel moving characteristic

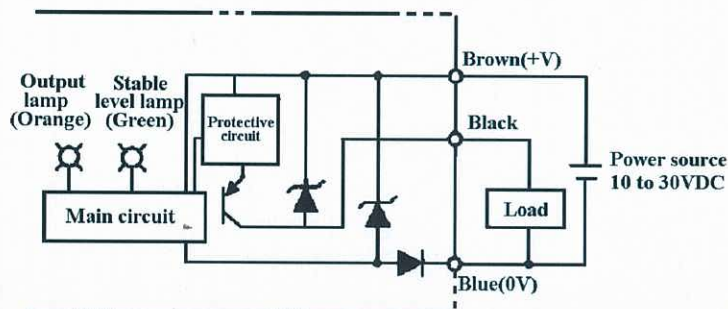


Output circuit

NPN output



PNP output



Specifications(Fiber unit)

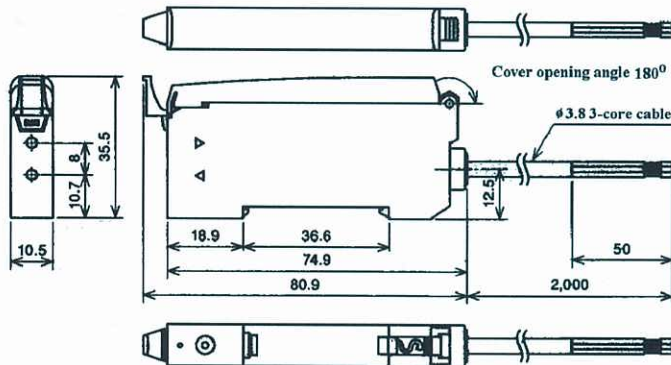
Kinds		Detecting distance	Fiber diameter	Fiber length
Through-beam	EP1-321(M4)	300mm	1mm	2m(free-cut type)
Diffuse-reflection	EP6-321(M6)	110mm	1mm×2	

Specifications(amplifier)

Model No.	PVF-CR	PVF-CRA
Power source	10 to 30VDC(Ripple 10% or less)	
Current consumption	25mA	
Light source	Red LED	
Operating mode	Changeover of LIGHT-ON/DARK-ON	
Control output	NPN open-collector output 100mA/30VDC or less, 1.8V/100mA or less	PNP open-collector output 100mA/30VDC or less, 1.8V/100mA or less
Response time	250μsec or less	
Timer function	OFF-delay(Fixed 40msec)	
Sensitivity adjustment	Provided(10 revolutions adjuster)	
Indicators	Stable level lamp(Green LED), output lamp(Orange LED)	
Connecting method	Cable type, 2m long(3.8mm in diameter, 3-core cable)	
Ambient illuminance	Incandescent lamp : less than 3,000lux, sun light : less than 10,000lux	
Ambient temperature/humidity	-25 to +55 degrees C, 35% to 85%RH(when using), 35% to 95%(when stored)	
Isolation resistance	20MΩ or less(by 500VDC)	
Withstand voltage	1,000VAC, 50/60Hz/min.	
Vibration resistance	Double amplitude 1.5mm, 10 to 55Hz	
Impact resistance	500m/s ²	
Protective structure	IP66(IEC standard)	
Case/weight	Case : PBT resin, cover : polycarbonate , approx. 70g(including cvable)	
Accessory	Bracket	
Mounting	DIN-rail	

External dimension

Amplifier



Bracket

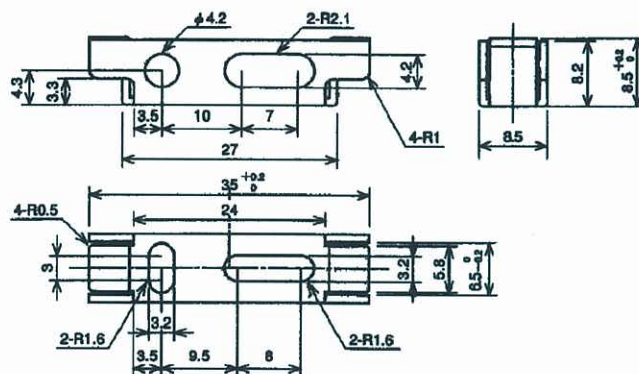


PHOTO SENSOR, LASER SENSOR, MICROWAVE SENSOR, COUNTER, AUTOMATIC DOOR



HOKUYO AUTOMATIC CO.,LTD.
 1-10-9 Niitaka, Yodogawa-ku, Osaka
 532-0033, Japan
 Tel(06)6394-2102 Fax(06)6394-2339
<http://www.hokuyo-aut.jp>
 E-mail:info@hokuyo-aut.jp