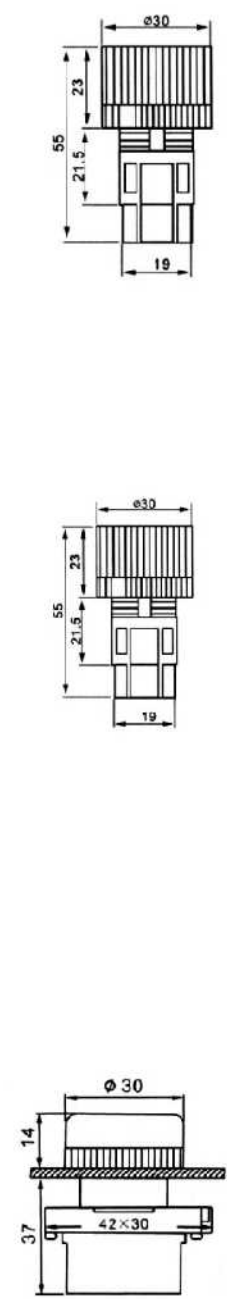


Indicator



Indicator ϕ 22 IP40

Description	Scheme	Voltage	Color	Type
Direct supply(1)				
For use with incandescent bulb (included) BA9s base fitting	X1 X2	130V 50/60Hz	●	LAY5-EV133
			●	LAY5-EV134
			●	LAY5-EV135
			●	LAY5-EV136
For use with incandescent bulb (included) BA9s base fitting	X1 X2	\leq 250V 50/60Hz	○	LAY5-EV161
			●	LAY5-EV163
			●	LAY5-EV164
			●	LAY5-EV165
			●	LAY5-EV166
			●	LAY5-EV167
For use with incandescent bulb (included) E10/13 base fitting	X1 X2	\leq 250V 50/60Hz	○	LAY5-EV661
			●	LAY5-EV663
			●	LAY5-EV664
			●	LAY5-EV665
			●	LAY5-EV666
			●	LAY5-EV667

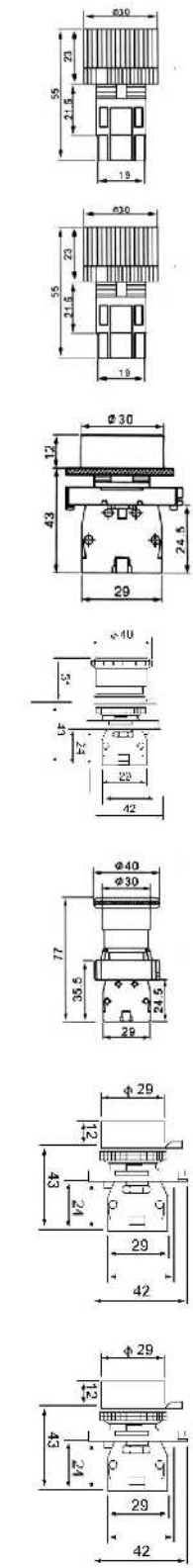
(1)Bulb types for use with direct supply:incandescent bulb $U \leq 250V$, max.power 3W,max.diameter length 28 mm.

For use with neon bulb (included) BA9s base fitting	X1 X2	240V~50/60Hz 220/240V bulb 400V~50/60Hz 380/415V bulb	●	LAY5-EV443
			●	LAY5-EV444
			●	LAY5-EV445
			●	LAY5-EV446
			●	LAY5-EV447
		230V~50/60Hz 130V bulb	●	LAY5-EV453
			●	LAY5-EV454
			●	LAY5-EV455
			●	LAY5-EV456
			●	LAY5-EV457

Supply direct through resistor

For use with incandescent bulb (included) BA9s base fitting	X1 X2		○	LAY5-EV171
			●	LAY5-EV173
			●	LAY5-EV174
			●	LAY5-EV175
			●	LAY5-EV176
BA9s 6.3V/24V bulb supplied	Via integral transformer 1.2VA	220V~240V/6.3V 50/60Hz	●	LAY5-EV1853
			●	LAY5-EV1854
			●	LAY5-EV1855
			●	LAY5-EV1856
BA9s 6.3V/24V bulb supplied	Via integral transformer 1.2VA	380V~440V/6.3V 50/60Hz	●	LAY5-EV1873
			●	LAY5-EV1874
			●	LAY5-EV1875
			●	LAY5-EV1876
Direct BA9s	X1 X2	\leq 380V	○	LAY5-EV61
			●	LAY5-EV63
			●	LAY5-EV64
			●	LAY5-EV65
			●	LAY5-EV66
BA9s, 130V. Direct through resistor	X1 X2	220V 250V	○	LAY5-EV71
			●	LAY5-EV73
			●	LAY5-EV74
			●	LAY5-EV75
			●	LAY5-EV76
			●	LAY5-EV76

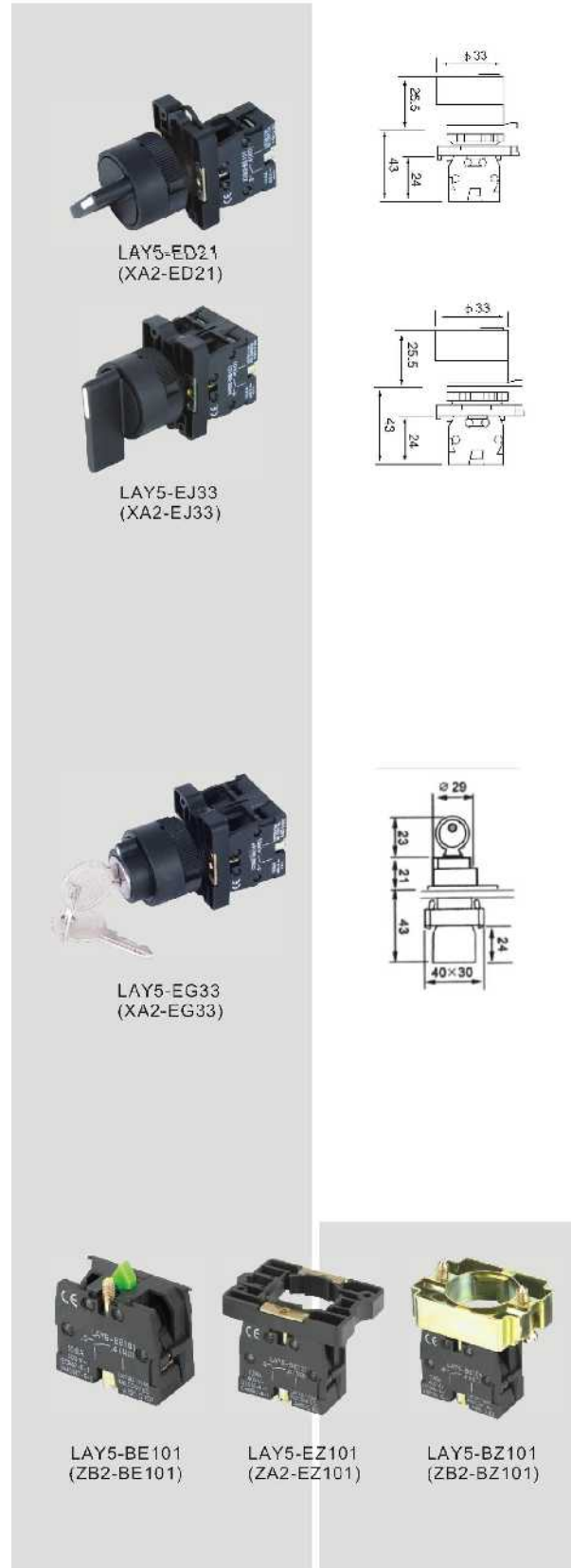
Pushbutton Switch



Pushbuttons, spring return

Description	Contact	Scheme	Color	Type
Pushbutton spring return	N/O	14 21	●	SB7-EA21
			●	SB7-EA31
			●	SB7-EA42
Pushbutton spring return	N/C+N/O	14 21	●	SB7-EA25
			●	SB7-EA35
			●	SB7-EA45
			●	SB7-EA45
Pushbutton latching	N/O	14 15	●	LAY5-EH121
			●	LAY5-EH131
			●	LAY5-EH125
Pushbutton latching	N/C+N/O	11 12	●	LAY5-EH135
			●	LAY5-EA21
			●	LAY5-EA31
Flush	N/O	14	●	LAY5-EA51
			●	LAY5-EA61
			●	LAY5-EA42
			●	LAY5-EA42
			●	LAY5-EA42
Mushroom head ϕ 40mm	N/O	14	●	LAY5-EC21
			●	LAY5-EC31
Mushroom head ϕ 40mm	N/C	21	●	LAY5-EC51
			●	LAY5-EC61
			●	LAY5-EC42
Mushroom head	N/C	22	ϕ 30	LAY5-ES442
			ϕ 40	LAY5-ES542
			ϕ 60	LAY5-ES642
Flush	N/O	14	●	LAY5-EA3311
			○	LAY5-EA3341
			●	LAY5-EA3351
Flush	N/C	22	●	LAY5-EA4322
			●	LAY5-EA4342

Pushbutton Switch



Selector switches

Description	Contact	Scheme	Operator	Type
2 Position stay put	N / C		Standard handle	LAY5 - ED21
	N/O+N/C		Long handle	LAY5 - EJ21
2 Position 1 spring return from right to left	N / O		Standard handle	LAY5 - ED25
	N/O+N/C		Long handle	LAY5 - EJ25
3 Position stay put	N/O+N/O		Standard handle	LAY5 - ED33
	N/O+N/O		Long handle	LAY5 - EJ33
3 Position 2 spring return to centre	N/O+N/O		Standard handle	LAY5 - ED53
	N/O+N/O		Long handle	LAY5 - EJ53

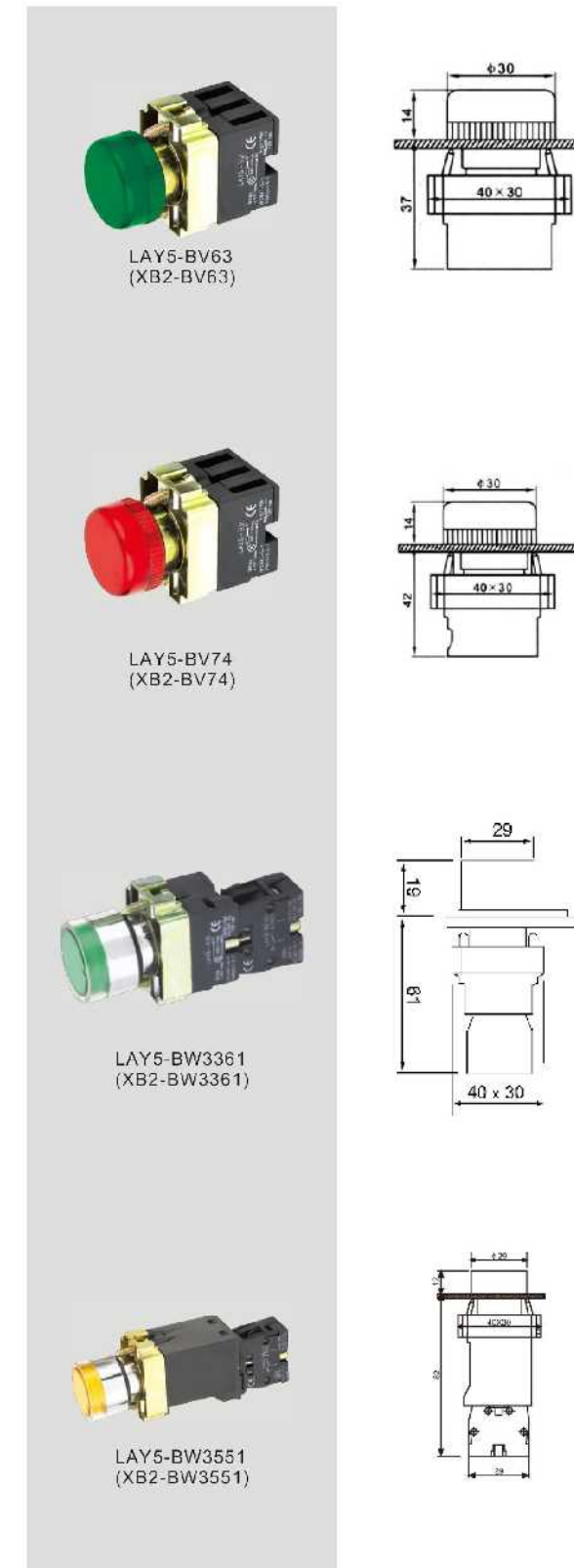
Key switches(key n° 455)

Description	Contact	Scheme	Key removal	Type
2 Position stay put	N / O		LH position	LAY5 - EG21
	N/C+N/O		LH and RH position	LAY5 - EG41
2 Position 1 spring return from right to left	N / O		LH position	LAY5 - EG61
	N/O+N/O		LH position	LAY5 - EG65
3 Position stay put	N/O+N/O		Centre position	LAY5 - EG33
	N/O+N/O		LH and RH position	LAY5 - EG53
3 Position 2 Spring return to centre position	N/O+N/O		All 3 position	LAY5 - EG03
	N/O+N/O		Centre position	LAY5 - EG73

Additional/replacement contact block,screw and captive cable

For making up body assemblies with 3,4,5 or maximum of 6 contact blocks or replacing 1st or 2nd contact	N / O	Clamp connection		LAY5 - BE101
	N / C			LAY5 - BE102
	N / O			LAY5 - EZ/BZ101
	N / C			LAY5 - EZ/BZ102
	N/O + N/O			LAY5 - EZ/BZ103
	N/C + N/C			LAY5 - EZ/BZ104
	N/O + N/C			LAY5 - EZ/BZ105

Pushbutton Switch



Circular head, screw and captive cable clamp connections Complete units Signalling units φ 22

Description	Scheme	Voltage	Color	Type
Direct bulb included		≤ 380V	Green	LAY5 - BV63
			Red	LAY5 - BV64
			Yellow	LAY5 - BV65
Via integral resistor BA9s, 130V bulb supplied		220V 250V	Green	LAY5 - BV73
			Red	LAY5 - BV74
			Yellow	LAY5 - BV75
			Green	LAY5 - BV33
			Red	LAY5 - BV34
Via integral transformer 1.2VA BA9s, 6V bulb supplied		110V/50Hz 110-120V/60Hz	Green	LAY5 - BV43
			Red	LAY5 - BV44
			Yellow	LAY5 - BV45
			Green	LAY5 - BV943
			Red	LAY5 - BV944
		220V/50Hz	Green	LAY5 - BV53
			Red	LAY5 - BV54
			Yellow	LAY5 - BV55
			Green	LAY5 - BV933
			Red	LAY5 - BV934
		415V/50Hz	Yellow	LAY5 - BV935

Illuminated flush pushbuttons with 1N/O contact

Description	Scheme	Voltage	Color	Type
Direct bulb supplied		≤ 380V	Green	LAY5 - BW3361
			Red	LAY5 - BW3461
			Yellow	LAY5 - BW3561
Direct through resistor BA9s, 130V bulb supplied		220V 250V	Green	LAY5 - BW3371
			Red	LAY5 - BW3471
			Yellow	LAY5 - BW3571
Via integral transformer 1.2VA BA9s, 6V bulb supplied		110V/50Hz 110-120V/60Hz	Green	LAY5 - BW3331
			Red	LAY5 - BW3431
			Yellow	LAY5 - BW3531
			Green	LAY5 - BW3341
			Red	LAY5 - BW3441
		220V/50Hz	Green	LAY5 - BW3391
			Red	LAY5 - BW3491
			Yellow	LAY5 - BW3591
			Green	LAY5 - BW3351
			Red	LAY5 - BW3451
		380V/50Hz	Yellow	LAY5 - BW3551
		415V/50Hz	Green	LAY5 - BW33931
			Red	XB2 - BW34931
			Yellow	XB2 - BW35931

Pushbutton Switch

With chromium plated metal bezel complete units with screw and captive cable clamp connections
Double-headed pushbuttons, spring return

Description	Contact	Scheme	Degree of protection	Type
Without pilot light 1 flush green pushbutton 1 protecting red pushbutton	N / O		IP40	LAY5 - BL8325
	+		IP65	LAY5 - BL9325
With pilot light 1 flush green pushbutton 1 pilot light with Yellow lens direct supply ≤350V 1 protecting red pushbutton	N / O		IP40	LAY5 - BL8425
	+		IP65	LAY5 - BL9425
1 flush green pushbutton 1 pilot light with Yellow lens 220/250V supply direct through resistor BA 9s, 130V bulb included 1 protecting red pushbutton	N / O		IP40	LAY5 - BW8365
	+		IP40	LAY5 - BW8465
1 flush green pushbutton 1 pilot light with Yellow lens 220/250V supply direct through resistor BA 9s, 130V bulb included 1 protecting red pushbutton	N / O		IP40	LAY5 - BW8375
	+		IP40	LAY5 - BW8475
1 flush green pushbutton 1 pilot light with Yellow lens 1.2VA-220V direct supply via integral transformer BA 9s 6V bulb included 1 protecting red pushbutton	N / O		IP40	LAY5 - BW8345
	+		IP40	LAY5 - BW8445

Latching mushroom head “emergency stop” pushbutton

Description	Color	Contact	Scheme	Type
Push-pull Red	Red			φ 40 LAY5 - BT42
				φ 60 LAY5 - BX42
Turn to release Red	Red	N / C		φ 30 LAY5 - BS442
				φ 40 LAY5 - BS542
				φ 60 LAY5 - BS642
Key release (key n° 455) Red	Red	N / C		φ 30 LAY5 - BS742
				φ 40 LAY5 - BS142
				φ 60 LAY5 - BS242

Latching mushroom head pushbutton with “Trigger action”

Turn to release Key release (Key n° 445) Red	N / O +	N/C		φ 40 LAY5 - BS8445
				LAY5 - BS9445

