

Fiber

Photo Sensor

Area Sensor

Ultrasonic Sensors

Inductive Proximity Sensor

Capacitive Proximity Sensor

Timer / Counter

Others

Accessories

### ◆Characteristic / 特點：

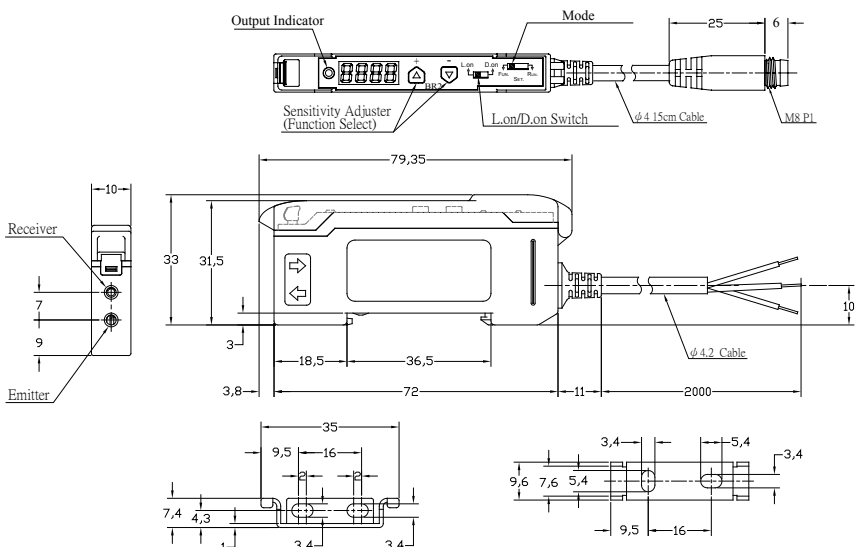
- Easy to install. / 設定方便，容易上手。
- Numeric displays, interactive prompts./單顯數字型面板，且運算快。
- Applications focus on many industries, such as semiconductor assembly, handling technology and packing. / 此產品可應用在許多產業中，包含半導體、裝卸作業和包裝產業等。
- Depends on the mounting direction, the digital display of BR2 can be inverted. /BR2的單顯數字面板，可依您裝上的方向，而作反轉調整。



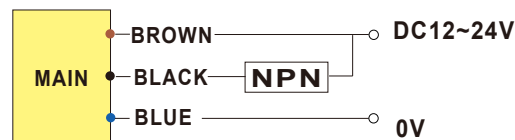
### ◆Specifications / 規格表：

Model / 型號	Pre-wired $\phi$ 4.2	BR2-N	BR2-P
	M8 pigtailed type	BR2-ND	BR2-PD
Emitting light / 發光源	Red LED 660nm		
Operating voltage / 工作電壓	DC12 to 24 $\pm$ 10%		
Current Consumption / 消耗電流	45mA Max.		
Load current / 負載電流	100mA Max at DC 24V		
Output type / 輸出模式	NPN L.on / D.on		PNP L.on / D.on
Protection circuit / 保護電路	Reversed polarity protection, over-current protection		
Response time / 反應時間	on 1 ms, off 1ms		
Indicators / 指示燈	Output indicator : Red LED		
Sensitivity adjustment/靈敏度功能	3 Digitals 000-999		
Insulation resistance / 隔離阻抗	20M $\Omega$ min. (DC500V)		
Voltage withstandability / 絕緣耐壓	AC500V 60Hz for 60 Sec.		
Operating temperature/工作溫度	- 10 $^{\circ}$ C ~ + 60 $^{\circ}$ C		
Ambient humidity / 工作溼度	35% ~ 85% RH		
Protection degree / 防水等級	IP64		
Material / 外觀材質	ABS		
Wiring method / 出線方式	BR2-□	Pre-wired $\phi$ 4.2 x 2M / 3-wires	
	BR2-□D	M8 pigtailed type / M8 接頭15cm電線式	
Weight / 重量	BR2-□	Approx.63 g	
	BR2-□D	Approx.70 g	

### ◆Dimensions/尺寸圖：



#### BR2-□NPN Wiring diagram



#### BR2-□D

