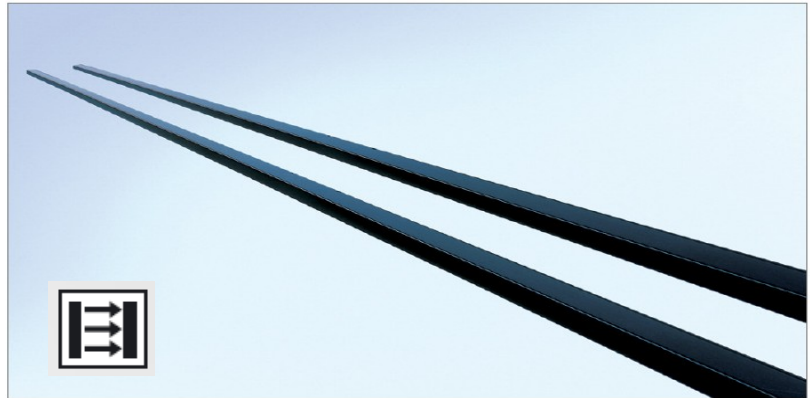


Description

- *0-4 meter sensing range
- *Multiple cross scanning beams
- *Flexible cable connection
- *Automatic sensitivity adjustment
- *Slim line housing
- *Power, output & signal status indicators
- *12-36 Vdc supply voltage
- *Built-in controller
- *NPN or PNP or opto-isolated relay output
- *Test input
- *Time-out function via wire connection



The SG 1 light curtain system consists of a self-contained transmitter detector, SGT and receiver detector, SGR, which are to be positioned opposite of each other. The detectors are housed in an aluminium profile available in a slim line design (10 x 28 mm) and a leading edge design (37,5 x 13 mm).

The SGR is supplied with a 12 – 36 V dc power supply with a 4 wire, NPN or PNP transistor output, or a 5 wire, solid state relay output, with a choice of light or dark function. The test input in the SGT may be used for either disabling or enabling the transmitting power temporarily for test purposes.

The detectors also include time-out function, which when enabled,

allows a pre-set number of channels to be automatically ignored if permanently obstructed for 10 seconds or more. This function can be enabled or disabled via the connection.

The advanced automatic signal-tracking (AST) feature ensures that no onsite set up or adjustments are required. The signal level of each individual channel is adjusted automatically compensating for misalignment and contamination during operation. The system can be used both in static and dynamic installations.

Both the transmitter and receiver detectors are protected against reverse polarity of power supplies, control input and output signals. The output is also protected against short circuit and inductive loads.

Technical Data				
	46 mm channel spacing		92 mm channel spacing	
	SGT	SGR	SGT	SGR
Supply voltage	12 – 36 V dc			
Current consumption	Max. 100 mA	50 mA	Max. 100 mA	50 mA
Output rating	–	200 mA	–	200 mA
Short circuit protected	–	Yes	–	Yes
Reverse polarity protected	Yes			
Light source	Infrared (940 nm)	–	Infrared (940 nm)	–
Channel spacing	Between channel 1 and bottom of housing: 25 mm Between other channels: 46 mm		Between channel 1 and bottom of housing: 25 mm Between other channels: 92 mm	
Distance between beams at pinch point	23 mm		46 mm	
Response time	–	< 80 ms	–	< 40 ms
Power on indicator	Green LED			
Output indicator	–	Yellow LED	–	Yellow LED
System status indicator	–	Red LED	–	Red LED
Time-out function	Up to 4 non-adjacent channels, selectable		Up to 2 non-adjacent channels, selectable	
Connection	3 m fixed flexible cable			
Housing dimensions (w x d)	Slim Line	10 x 28 mm		
	Leading Edge	37,5 x 13 mm		
Housing material	Aluminium			
Housing colour	Black anodized			
Front cover	Infrared transparent plastic			

Environmental Data	
Light immunity @ 5° incidence	> 100 000 lux
Temperature, operation	-20 to +65 °C
Temperature, storage	-40 to +80 °C
Sealing class	IP 54
Approvals	CE

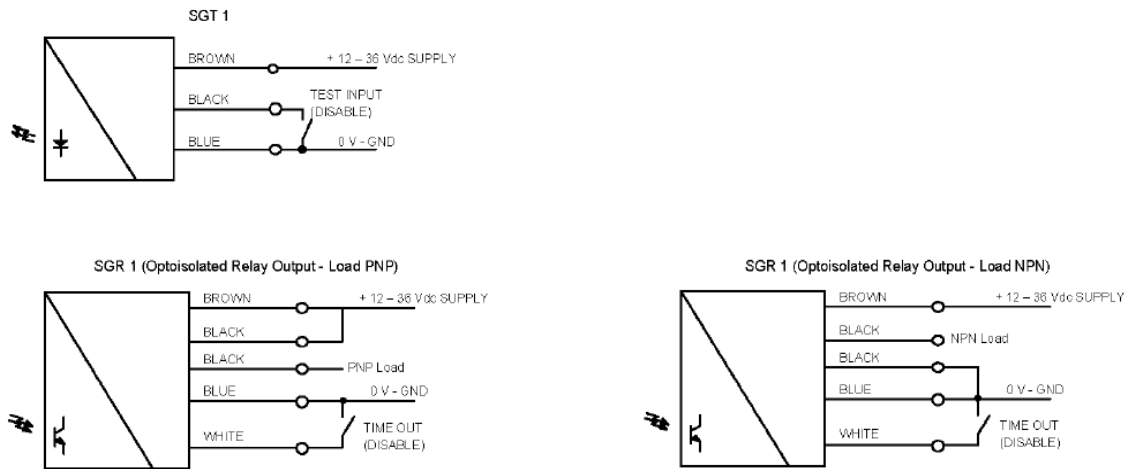
Available Types							
Transmitter Detector	Housing Length	Active Height	Number of Channels	Number of Beams	Beam Spacing	Output type	Model
	500mm	325mm	8	34	46mm	-	SGT-1-050-008-A-3F
	850mm	650mm	8	34	92mm	-	SGT-1-085-008-A-3F
	850mm	695mm	16	74	46mm	-	SGT-1-085-016-A-3F

Receiver Detector	500mm	325mm	8	34	46mm	Solid State Relay NO	SGR-1-050-008-A-04-3F
	850mm	650mm	8	34	92mm	Solid State Relay NO	SGR-1-085-008-A-04-3F
						Solid State Relay NC	SGR-1-085-008-A-05-3F
	850mm	695mm	16	74	46mm	Solid State Relay NO	SGR-1-085-016-A-04-3F
						Solid State Relay NC	SGR-1-085-016-A-05-3F

*2000mm & 2100mm housing are also available. Please ask us for more details.

*Please ask us for the dimension diagram.

Wiring Diagrams



WARNING

THE TELCO SPACEGUARD SYSTEM IS NOT A SAFETY SYSTEM and must not be used as such. It is not designed for personnel safety applications and must not be used as a stand-alone personnel safety system.

*For more information, please visit: www.telcosensors.com

Telco *sensors*